

MICRO SWITCH
a Honeywell Division

SWITCH — ENCLOSED

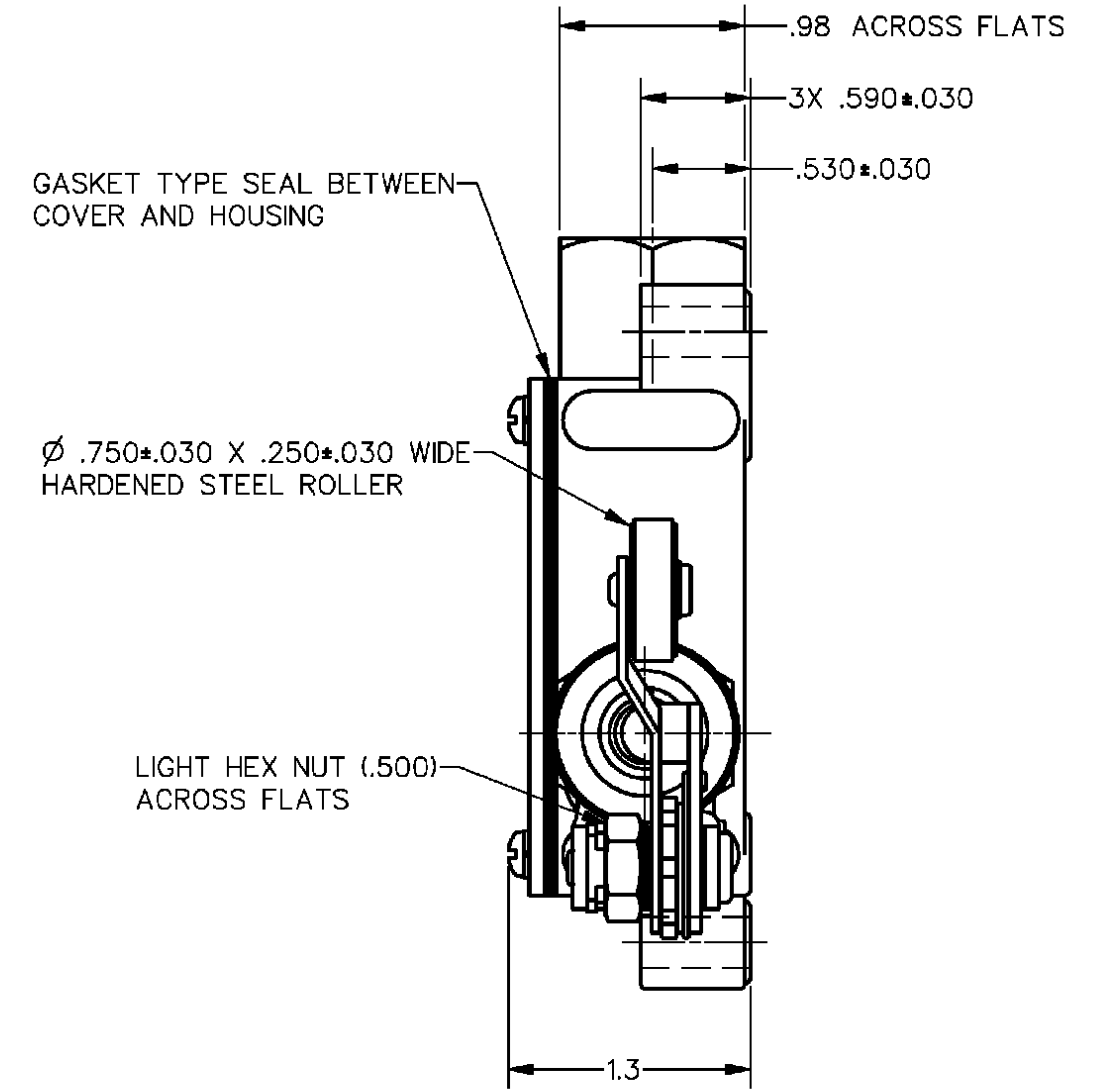
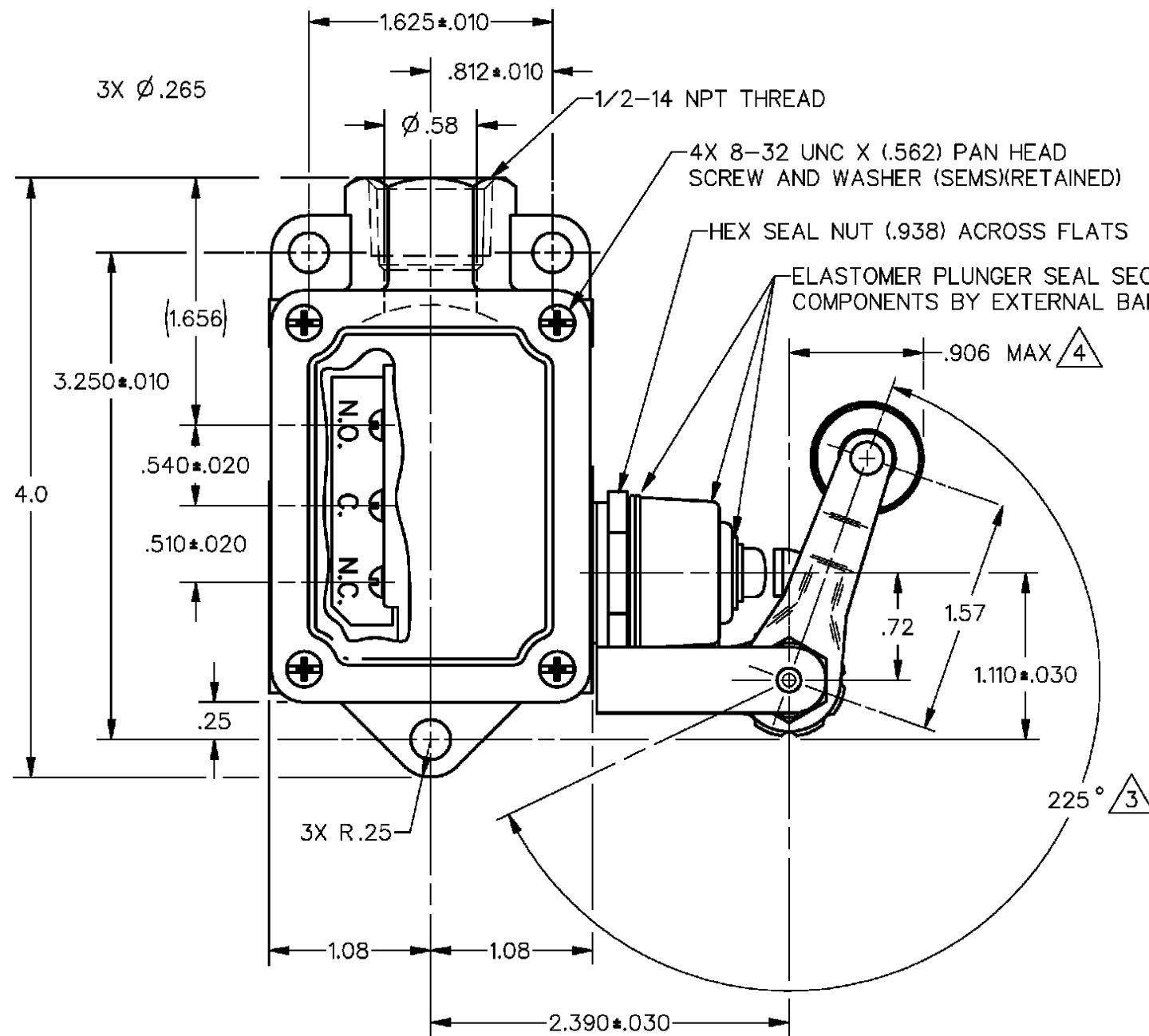
CATALOG LISTING
DTF2-2RN2-RH

FED. MFG. CODE 91929

CATALOG LISTING
DTF2-2RN2-RH
REPLACES
RELEASE NO.
ISSUE
M
15

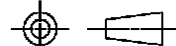
REVISIONS
A C073751
MAM
22 OCT 92
B
77179-6
JJO
12 MAR 94
C C081513E
JAK
11 MAR 97
D 0018962
VWR
14FEB06

DDM/CAD
DRAWN
MAM 22OCT92
CHECK
WLS 22OCT92
CHECK
BP 14FEB06
CHECK



THIS DRAWING COVERS A PROPRIETARY ITEM AND IS THE PROPERTY OF MICRO SWITCH, A DIVISION OF HONEYWELL. THIS DRAWING IS NOT TO BE COPIED OR USED WITHOUT THE APPROVAL OF MICRO SWITCH

THIRD ANGLE PROJECTION



CHARACTERISTICS

OPERATING FORCE ——— 2 1/2 LBS MAX
RELEASE FORCE ——— 2 OZ MIN
PRETRAVEL ——— .312 MAX
DIFFERENTIAL TRAVEL ——— .120 MAX
OVERTRAVEL ——— .219 MIN
BASIC SWITCH REPLACEMENT ———
————— DT-2R3-A7

ELECTRICAL DATA

CONTACT ARRANGEMENT
D P D T

L59 10A 125 OR 250 VAC
0.3A 125 VDC, 0.15A 250 VDC

SCALE FULL

DO NOT SCALE PRINT

UNLESS OTHERWISE SPECIFIED TOLERANCES ARE

ONE PLACE (.0) $\pm .030$
TWO PLACE (.00) $\pm .015$
THREE PLACE (.000) $\pm .005$
ANGLES \pm

WEIGHT .670 LB



NOTES

- 1 — ROLLER LEVER BRACKET ASSEMBLY MAY BE SET IN ANY POSITION AROUND AXIS OF PLUNGER
- 2 — 4-40 UNC X (.125) ROUND HEAD TERMINAL SCREWS AND LOCKWASHERS
- $\triangle 3$ ROLLER LEVER MAY BE POSITIVELY LOCKED AT INTERVALS OF 0.2° WITHIN A RANGE OF 225° (1238 POSITIONS)
- $\triangle 4$ ROLLER LEVER IS SHOWN IN ITS FREE POSITION AT ONE EXTREME OF ITS ADJUSTABLE RANGE

ANSI Y14.5M-1982 APPLIES